

REV	ECON NO.	APP.	DATE
A	NEW DESIGN		

### SPECIFICATION

- \* Current Rating:  
3 A
- \* Withstanding Voltage:  
500 VAC ( 1 min. )
- \* Insulation Resistance:  
1000 Megohms MIN.
- \* Contact Resistance:  
20 Milliohms MAX.
- \* Operating Temperature:  
-40°C to +85°C
- \* Retention Force:  
540g MIN.

### ORDER INFORMATION

MJ02 - XX - XXX - G1

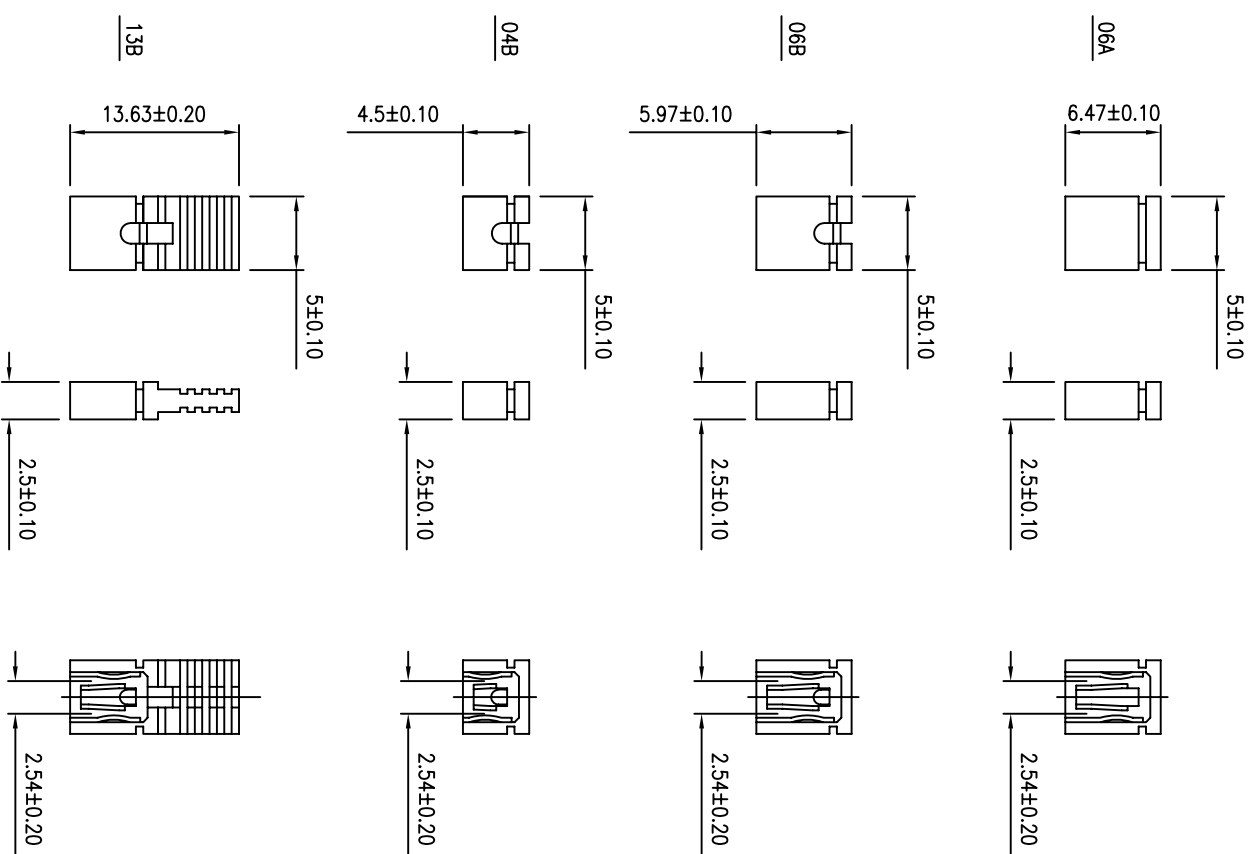
Series | Plating

Color | Style

01:Black 06A  
02:Red 06B  
03:Blue 04B  
13B

### MATERIAL

- \* Contact: Brass
- \* Insulator: PBT & 30% G. F.  
For 06A , 06B , 04B  
NYLON 66 For 13B
- \* Plated: Gold or Tin



SHINHWHA TECH CO.,LTD

0.0±	SCALE:	TITLE: 2.54mm (.100") Center	PART NO:
0.00±	UNIT: MM	MINI JUMPER / SHORTING CONNECTOR	APP BY:
0.000±			CHK BY:
		MATL: PBT + 30% GF	DR BY:
		DWG. NO. MJ02	